

Model 400 Power Ditchers  
Model 600 Bale Slicer  
Model 500 Rock Picker  
Model 700 Screening Bucket



ISO9001:2015 certified

*Our Tradition is Quality Driven and Field Proven*



**Power Ditchers, Bale Slicer,  
Rock Picker, Screening Bucket**

# Power Ditchers...

*Perfect for any size farm, roads, municipalities, lawn and landscape, and light construction*



Center Cut



Left Hand Offset



Right Hand Offset

## Series 400 – Center Cut and Offset

Remlinger's rugged power ditcher is the simplest, most economical approach to field water control. Designed to spread soil up to 30 ft. and dig ditches up to 12" deep in one pass. Excellent performance in most soil conditions and all types of crops.

The unique high HP belt drive is equipped with a banded belt, tapered bushed sheaves and selfadjusting spring tensioning system. Rotor has labyrinth shielded bearings and four reversible cutting blades. These features make the our power ditcher the strongest and most durable on the market.

The simple spring tensioned self-adjusting belt drive assures proper tension, resulting in little down time for service or maintenance. No more difficult alignment, adjusting and leak problems normally caused by high RPM chain drive systems.



Ditcher Belt

Series 400 Specifications			
Model	400-CC	400-LH	400-RH
Recommended PTO HP	35 min.	35 min.	35 min.
PTO Tractor Yoke (3 Available)	1-3/8, 6 spline, 540 RPM 1-3/8, 21 spline, 1,000 RPM 1-3/4, 20 spline, 1,000 RPM		
Drive Shaft	180 HP Shear Pin with Greaseable Slide		
Cutting Head	Equipped with 4 Reversible High Carbon Blades, Adjustable From 18"-20" Diameter		
Hitch	Fits Category II and III Standard Quick Hitch Systems		
Weight	849 lbs.	931 lbs.	948 lbs.

# Bale Slicer...

*Cuts bales of hay, straw or silage quickly and efficiently*



## Series 600 – Economical to Own, Easy to Operate

Remlinger's rugged Bale Slicer cuts bales of hay, straw or silage quickly and efficiently, for indoor or outdoor feeding or bedding of dairy or beef cattle. Bales are sliced open in a few seconds and chopped into loose hay in a couple of minutes. The four bale spears securely carry the bale from storage to feeding location. With minimum maintenance this bale slicer will give excellent performance for many years.

The Bale Slicer selects, picks up, carries and slices bales for efficient and fast feeding or bedding of animals with minimum down time and service.

Designed for skid steer loaders, with optional 3-point hitch built to fit all category 2-3 tractors.

### Series 600 Specifications

Weight	680 lbs.
Open Height	8' 6"
Maximum Bale Width	5' 7"
Maximum Bale Height	6' 0"
Knife Length	7' 4"
Lift Capacity	2,500 lbs.
Pivot Points	Bronze Bushings on Knife Pivot
Hydraulic Cylinder	3-1/2" Diameter x 20" Stroke
Required Hydraulics	One Pair of Auxiliary Outlets

Visit [remlingermfg.com](http://remlingermfg.com)  
to learn more



# Rock Picker...

*Economical machine for continuous picking of stones, rocks, windrows and boulders*

## Series 500 — Hydraulic Powered



Remlinger's rugged Hydraulic Powered Rock Pickers are the simplest, most economical approach to continuous picking machines for stones, rocks, windrows and boulders. The simple design and straight forward picking action results in a highly reliable machine with minimum maintenance and excellent performance for years to come.

The rugged double wrap around frame is all welded and constructed from heavy wall 5" square tubing. The reel assembly features spring cushion action, individual hard surfaced teeth with heavy wall tube and carbon shafting and pins. The heavy duty pivot bucket hinges provide high strength and hopper stability. These features make the rock picker the strongest and most durable on the market. It is built to stand up to the extra abuse demanded of rock removal equipment.

Rock removal equipment is essential to modern farming practice. Investment in a rock picker will greatly reduce down time and damage to tillage and harvesting equipment. The simple, highly efficient valve and remote switch box hydraulic system gives the farmer the convenience to control all rock picker functions separately without leaving the tractor.

A standard 3 x 8 hydraulic cylinder positions the rock picker for rock alignment or shifts the machine into transport position without the operator leaving the tractor.

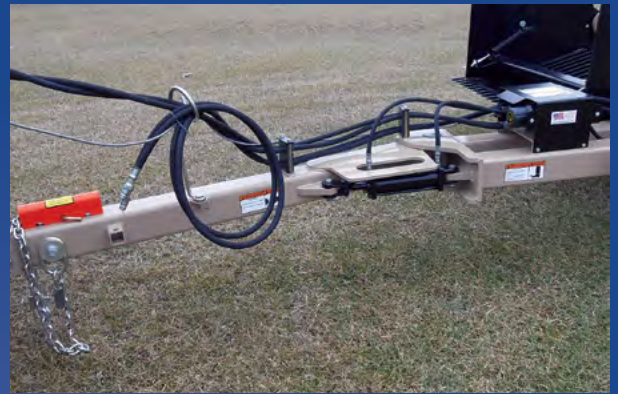
### Features —

**Implement Hitch:** Category 3, rated at 4,009 vertical pounds and 56,888 draft pounds. Clevis is standard with hitch, rated at 12,586 pull pounds and fits 1" drawpin size.

**Hydraulic Reel Drive:** Has several important advantages over PTO drive systems including safety, no vibration and sharper turning. The reel can be reversed for clearing. Hydraulic motor has a built-in cross over relief valve, eliminating shock loads. RPM of reel can be varied by changing the volume of oil without changing tractor ground speed. Tractor hydraulic requirements: 12 GPM @ 1,500 PSI with dual hydraulic system.

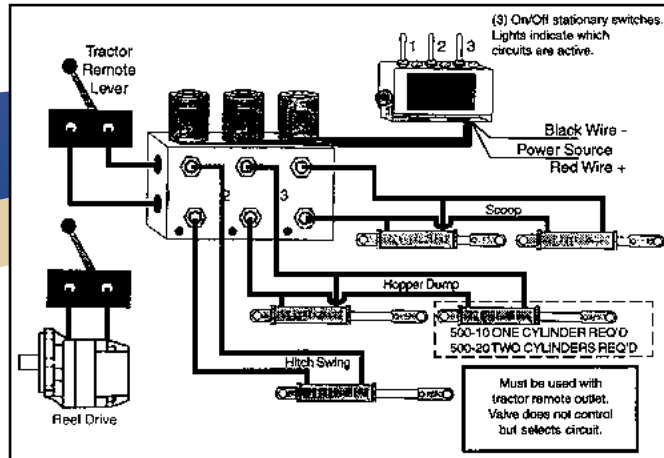
**Bar Reel and Scoop Assembly:** Features high carbon steel with individual hard-surfaced teeth. The reel is equipped with heavy duty tines and spring cushion trip action. The large diameter reel and longer tines on scoop are positioned to provide easy pick up and more efficient transfer of rock to the bucket. The design and heavy construction will give the user years of continuous and efficient rock picking in tough conditions.

**Hydraulic Cylinders:** Dual system provides smooth, even lift when picking stubborn rocks or dumping on uneven terrain. Two cylinders are provided on the tine scoop (3 x 8) and two on the hopper lift (3-1/2 x 30). Hoses from implement to tractor are included.



*Ideal for strip mines,  
reclamation, concrete  
debris, demolition  
and more!*

# Rock Picker Specs



Series 500-20 Specifications	
Frame	Welded Construction using Heavy Plate and 5" Square Tubing
Hopper	Constructed with Grated Bottom and 1/4" Steel Gusseted Back
Rock Guard	Heavy 1/2" Thick Rubber Deflector
Hopper Size	2-1/4" Cubic Yards
Tine Scoop	Specially Designed, Hard Surfaced Contoured Tine
Bar Reel	Large Diameter with Hard Surfaced Teeth, Protected by Heavy Duty Spring Cushion Trip Action
Swing Hitch	Hydraulic Controlled From Tractor
Implement Hitch	Category 3 with Clevis
Hydraulics Scoop	Two 3 x 8 Cylinders
Hydraulics Swing Hitch	One 3 x 8 Cylinder
Hydraulics Hopper	Two 3-1/2 x 30" Cylinders
Reel Drive	Hydraulic Motor with Cross Over Relief Valve
Tractor Hydraulics	Two Remotes Required – 12 GPM at 1,500 PSI Minimum with Flow Control
Axle and Hub	7,500 lbs. Hub and Axle Assembly
Tire Size	Standard 10 Ply x 12.5L x 15
Optional Tire Size	Optional 385 / 65R x 22.5 Used
Tractor HP	60 HP Minimum
Rock Size	1-1/2" to 24"
Picking Width	60"
Transport Length and Width	17' 6" x 9' 8"
Weight	4,800 lbs.



# Screening Bucket...

*Ideal for landscaping, farms, industrial uses, golf courses, baseball fields, beaches and more*



## Series 700 – One of the Strongest, Most Durable on the Market

Remlinger's Screening Bucket is ideal for commercial and residential landscaping, farms, industrial uses, golf courses, baseball fields, beaches and many other applications. It will screen dirt, gravel, sand, demolition debris, large rocks and many other materials. By screening and compacting at the site, contractors can prepare sub-grade surfaces. Utility and trenching contractors can screen bedding material. Useful for digging, loading, and carrying materials after unwanted fines have been removed. The simple rugged design results in minimum downtime for service and maintenance.

The quick-change replaceable screen cloth is available in various sizes of openings and made of long lasting, high carbon alloy steel. The hydraulic vibrator with greasable bearings provides power to shake heavy materials. An adjustable flow divider with pressure relief valve allows fine tuning of vibrator speed to match the hydraulics of the skid loader. These features make our Screening Bucket one of the strongest, most durable on the market.

Investment in a Screening Bucket will greatly increase the speed of any type of rubble or rock type material screening, whether it is an agricultural, industrial, commercial or landscaping operation. Simple hydraulic connection that does not require access to a case drain on the skid loader and the adjustable hydraulic flow control provides the user with easy setup.

Series 700-30 Specifications	
Width	70"
Screen Opening Size	1/8" Square, Up to 5" Square
Capacity	7/8 Cubic Yards
Weight	1,100 lbs.
Hydraulic Vibrator	Requires 13-16 GPM at 1,500 PSI
Required Hydraulics	Fits Most Skid Steer Loaders with Bi-Directional Auxiliary Hydraulics



Remlinger designs and manufactures farm tillage equipment, with over 50 years of experience. The company's early years were primarily dedicated to manufacturing spike tooth harrows for field cultivators and disks. In 1980, a Danish tine field cultivator, packer wheel combination became Remlinger's first complete tool. As the farming industry evolved, Remlinger Manufacturing has met the needs for new attachments on a wide variety of tillage tools serving farmers all across the United States, as well as around the globe.

Remlinger Manufacturing reserves the right to change pricing or specifications at anytime without notice or obligation.



ISO9001:2015 certified

**Remlinger Manufacturing Co., Inc.**  
16394 U.S. 224 • P.O. Box 299  
Kalida, OH 45853  
1.800.537.7370 • 419.532.3647  
Fax: 1.419.532.2244  
**[www.remlingermfg.com](http://www.remlingermfg.com)**